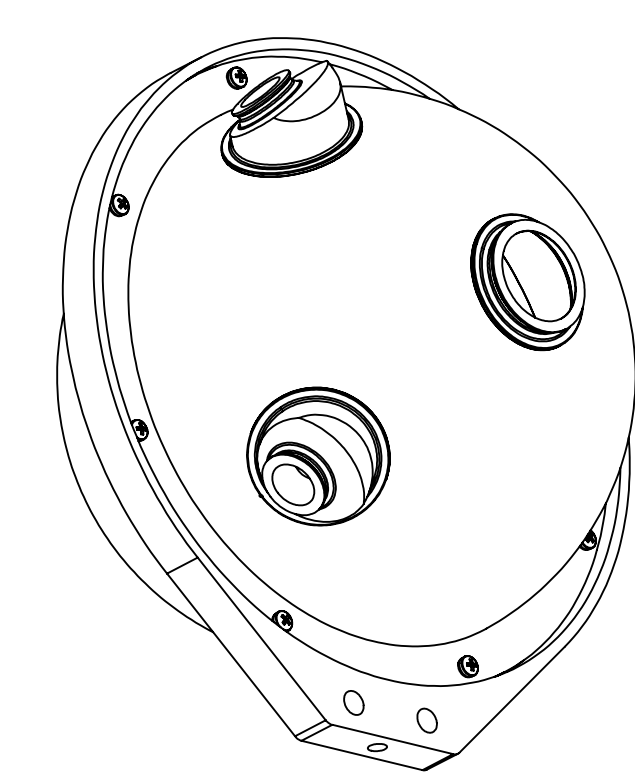
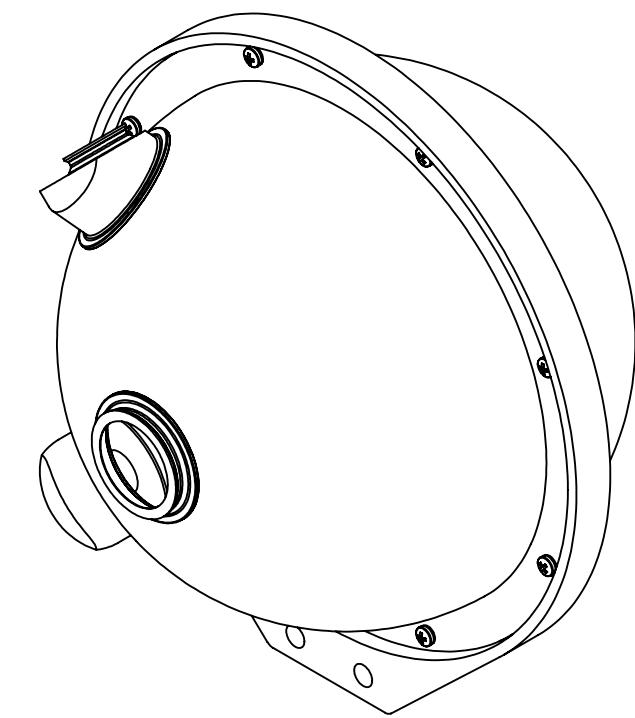
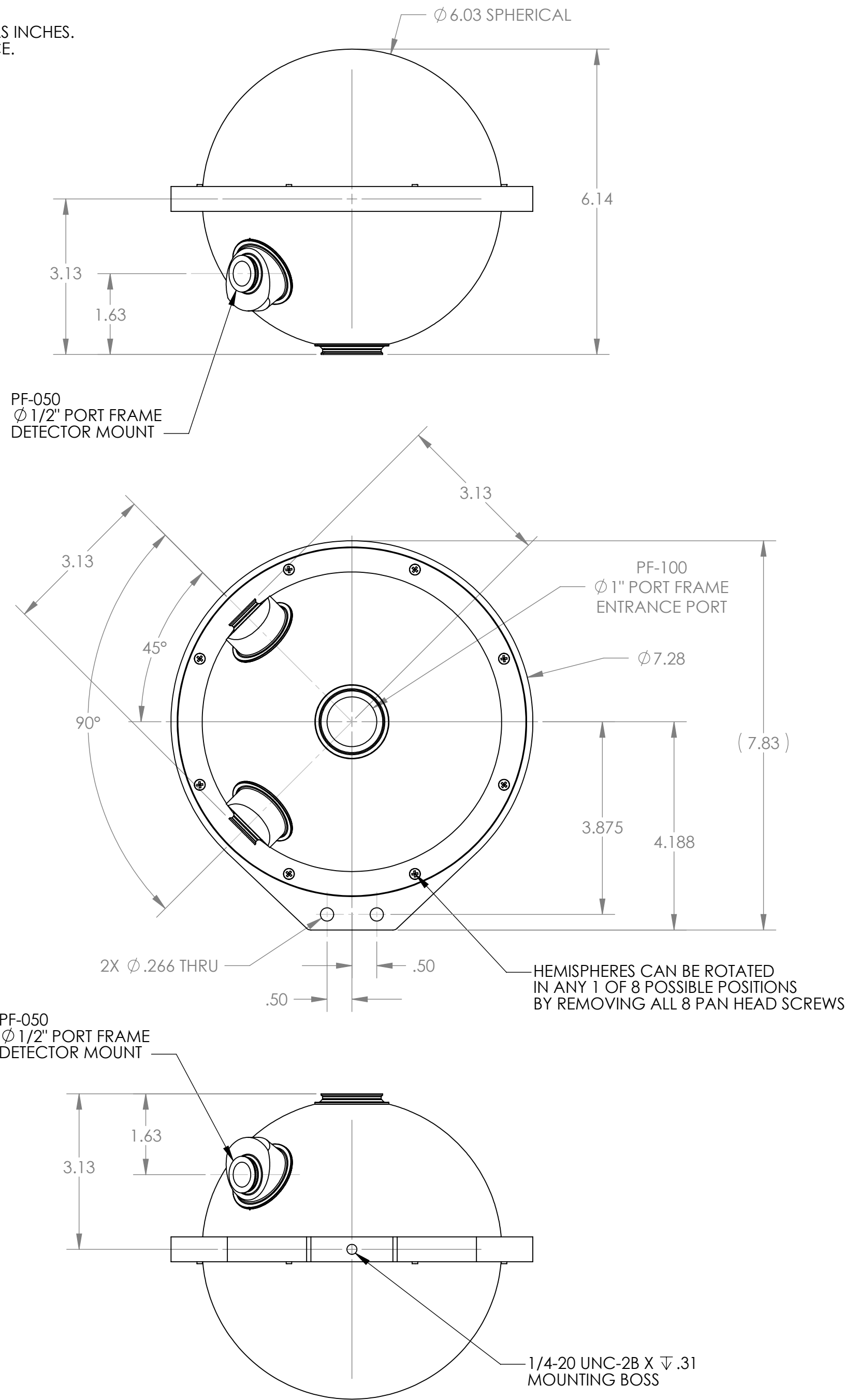



NOTE:
 1 - UNLESS OTHERWISE SPECIFIED DIMENSIONS LISTED AS INCHES.
 DIMENSIONS SUBJECT TO CHANGE WITHOUT NOTICE.



APPROX. WEIGHT: 1.5 POUNDS

UNLESS OTHERWISE SPECIFIED DIMENSIONS ARE IN INCHES TOLERANCES ARE: FRACTIONS DECIMALS ANGLES $\pm 1/64$.XX = ± 0.01 $\pm 30'$.XXX = ± 0.005	THE INFORMATION CONTAINED IN THIS DRAWING IS THE SOLE PROPERTY OF labsphere, INC. ANY REPRODUCTION IN PART OR IN WHOLE WITHOUT THE WRITTEN PERMISSION OF labsphere, INC. IS PROHIBITED.			 PO BOX 70, NORTH SUTTON, NH 03260	
	3P-LPM-060-SF, SPHERE ASSY (MOD)				
	APPROVALS	DATE	SIZE		SCALE
	FINISH	DO NOT SCALE DRAWING	DO NOT MANUALLY UPDATE MATERIAL		
RESP ENGR C. SHAFFER	DATE 2/2/2005	SIZE C	SCALE 1:2	SHEET 1 OF 1	
CHECKED/APPV'D L. BROWN	DATE 2/2/2005	DWG. NO. AS-02495-000 CUD	REV. 1		